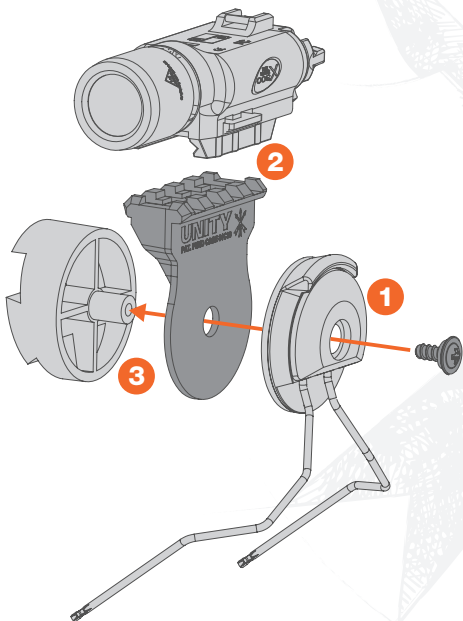


REMORA™ FOR 3M PELTOR

INSTALLATION INSTRUCTIONS



- 1 Remove OEM Pivot Screw and outer sub assembly.
- 2 Install desired accessory on Remora with included hardware or integrated Picatinny Mount.
 - Use 10-32 Screws to install FUSION™ Components.
 - Use 8-32 Screws to install Surefire™ Scout footprint lights.
- 3 Install Remora™ assembly onto backer post so "UNITY" logo faces outward.
- 4 Use included, longer Remora™ Screw to secure reassemble. **DO NOT OVER-TIGHTEN.**