

FAST™

MRO

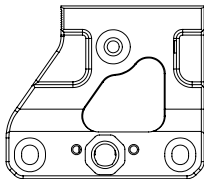


CONTENTS

PRODUCT OVERVIEW

The FAST™ MRO (Miniature Rifle Optic) mount is designed for the Trijicon® MRO and Trijicon® MRO HD. It features a built-in, fully adjustable rear back-up iron sight that is compatible with a standard front sight for a traditional sight radius. It comes standard with a two cross bolt rail clamp or can be retrofitted with the FAST™ QD Lever and works with all FAST™ FTC magnifier mounts.

One (1) FAST™ MRO



One (1) Rail Clamp



Two (2) Washers



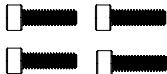
Two (2) Clamp Screws



One (1) T10 Torx Key



Four (4) Optic Mounting Screws





WARNING: ENSURE FIREARM IS UNLOADED

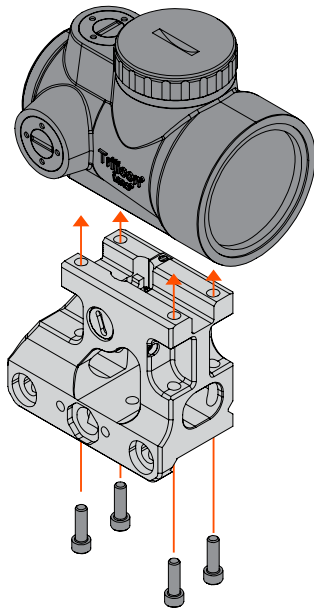


CAUTION:

OVER-TORQUING FASTENERS CAN DAMAGE YOUR MOUNT AND/OR YOUR OPTIC AND WILL VOID YOUR WARRANTY. USING THREAD LOCKING COMPOUNDS, SUCH AS LOCTITE® OR OTHERS, IS NOT RECOMMENDED AND WILL VOID YOUR WARRANTY.

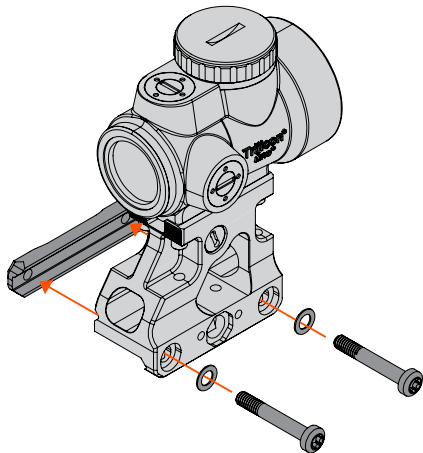
1

Using the UNITY™ supplied Optic Mounting Screws, install the optic to the mount. Tighten the screws in an "X" pattern until they are finger tight. Give each screw a 1/8 - 1/4 turn with the supplied torx key. **Do not exceed manufacturer's recommended torque spec.**



2

Place the FAST™ Micro mount on the M1913 Rail in desired location. If using the included Rail Clamp, move to step 3. If using the optional FAST™ QD Lever (sold separately), jump to step 4.

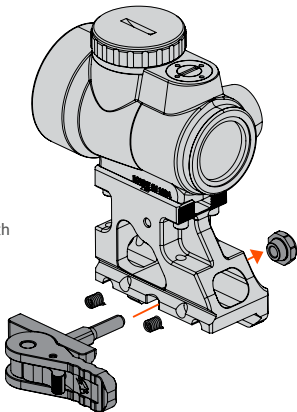


3

Insert each Clamp Screw through a Washer. Then insert them through the FAST™ MRO mount and thread them into the Rail Clamp. Secure screws using a T25 bit driver. Lightly snug all screws before applying final torque to any. **Torque to 35 in-lbs (4 Nm)**. Jump to step 5.

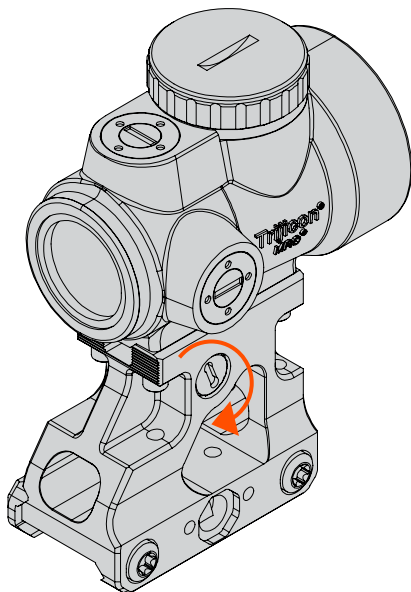
4

Optional FAST™ QD (Quick Detach) Lever (sold separately) can be installed in place of the Rail Clamp. Installation instructions are included with the lever.



5

Windage adjustment of rear BUIS is 0.5 MOA/click
(with a 12.5" Sight Radius).



INFO@UNITYTACTICAL.COM

©2023 UNITY Tactical. All Rights Reserved.
Specifications subject to change without notice. PAT: UTIP.CO

