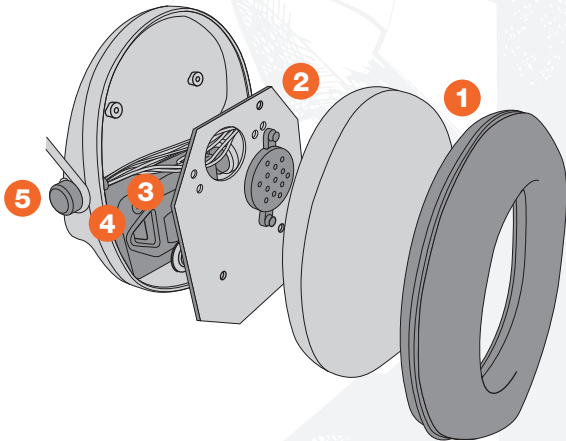


ESS STUDS

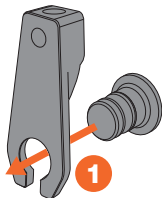
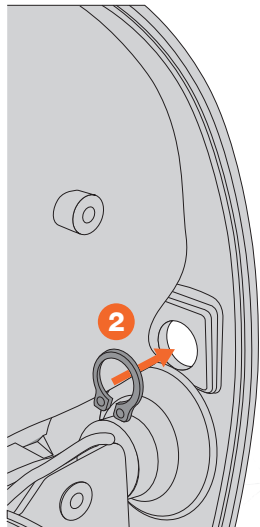
INSTALLATION INSTRUCTIONS



- 1** Carefully pop foam or gel ear cup off shell and remove foam insert to expose circuit board.
- 2** Remove the four tiny screws that secure the circuit board to the polymer housing and set them aside (DO NOT LOSE THEM).
- 3** Carefully pull circuit board out of shell. Make sure not to disturb wires connecting circuit board to control module and microphone.
- 4** Using in-spec snap ring pliers, carefully remove snap rings from front and rear studs.
- 5** Pull studs out of shell to free headband (take care not to damage any electrical wires).

ESS STUDS

INSTALLATION INSTRUCTIONS



- 1** Place SARA™ (sold separately) onto ESS stud where headband wires were, and push assembly through hole in shell.
- 2** Replace original snap ring (or use included replacement snap rings if originals were damaged during disassembly) using snap ring pliers.

NOTE: ENSURE SNAP RING FULLY SEATS INTO RECESS IN STUD AND CLOSES TIGHTLY. OTHERWISE, STUDS CAN FALL OUT DURING USE. IT MAY HELP TO USE A SMALL PUNCH TO PUT PRESSURE ON CLOSED SIDE OF RING WHILE USING SNAP RING PLIERS TO SEAT THE SPLIT SIDE.