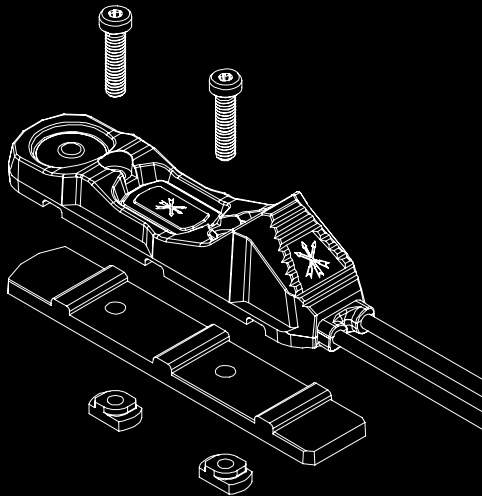


AXON™ XL

M-LOK® MOUNTING KIT



CONTENTS



PRODUCT OVERVIEW

The AXON™ XL M-LOK® Mounting Kit increases functionality of the AXON™ XL remote switch by expanding the mounting capabilities to the M-LOK® rail. It replaces the rail clamps with an under-mounted spacer plate that provides a low-profile attachment to any M-LOK® rail surface.

One (1) AXON™ XL M-LOK® Spacer Plate



Two (2) M-LOK® Screws



Two (2) M-LOK® Nuts





WARNING: ENSURE FIREARM IS UNLOADED



CAUTION: OVER-TORQUING FASTENERS CAN DAMAGE YOUR MOUNT AND WILL NOT BE COVERED BY WARRANTY.

1

Ensure the Rail Clamps on your AXON™ XL are uninstalled prior to installing the M-LOK® Mounting Kit. Set the Rail Clamps and associated screws aside for safe keeping.

2

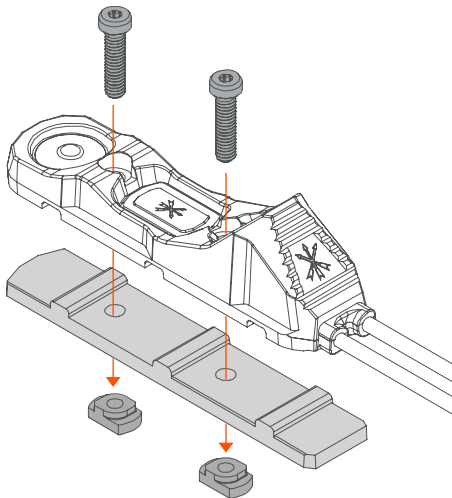
Remove the front and rear screw covers located between each button on your AXON™ XL Control Module.

3

Align the M-LOK® Spacer Plate to the bottom of your AXON™ XL Control Module as shown.

4

Insert the M-LOK® Screws into the screw hole in the top of the AXON™ XL Control Module, through the M-LOK® Spacer Plate and into the M-LOK® Nuts as shown. **When torquing, do not exceed 15 in-lbs (1.69 Nm).**

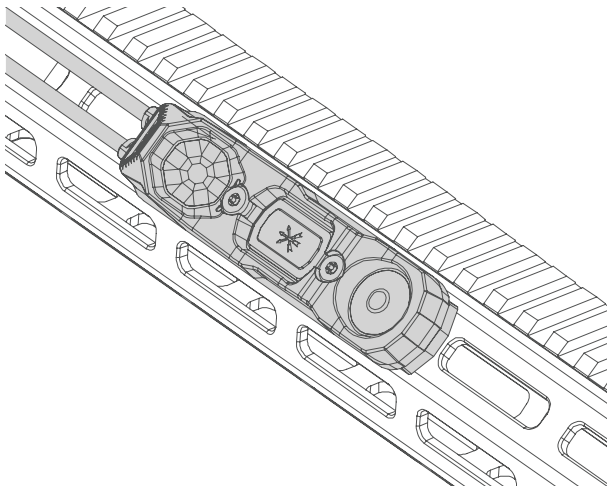


5

Place the AXON™ XL Control Module on the M-LOK® Rail in desired location. Ensure the M-LOK® nuts are fully perpendicular to the M-LOK® slot in rail (fully seated).

6

Route cables from AXON™ XL to devices and fully seat plugs in sockets. Avoid sharp bends and routing over extreme heat areas and sharp edges. If using zip tie loops for cable management, carefully pass slack cable through loops and tighten ties.



INFO@UNITYTACTICAL.COM

©2025 Unity Tactical. All Rights Reserved.
Specifications subject to change without notice. PAT: UTIP.CO

