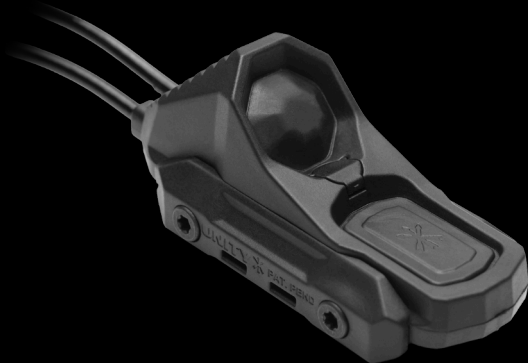


AXON™



USER

INSTRUCTIONS

 **UNITY**

The pinnacle of remote switch design for weapon-mounted accessories, AXON™ provides complete control of lights and lasers in a single, compact and rugged housing. All AXON™ variants for the Wilcox® BOSS Xe™ or RAID Xe™ are SYNC. SYNC models fire the laser independently with the laser-only [flat] button, while the light button [angled] will fire both light and laser simultaneously.

One (1) AXON™



One (1) Rail Clamp A (Round Holes)



One (1) Rail Clamp B (Hex Holes)



Two (2) Cross Bolts



Two (2) Hex Nuts



One (1) AXON™ Screw Plug

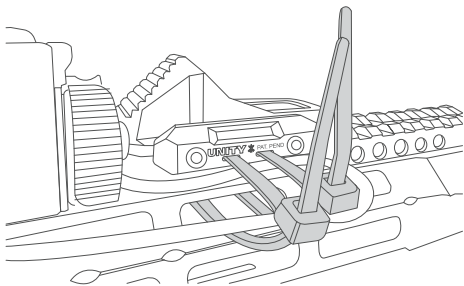


**WARNING:****ENSURE FIREARM IS UNLOADED****CAUTION:**

Over-torquing fasteners can damage your mount and/or your optic and will void your warranty. Using thread locking compounds, such as Loctite® or others, is not recommended and will void your warranty.

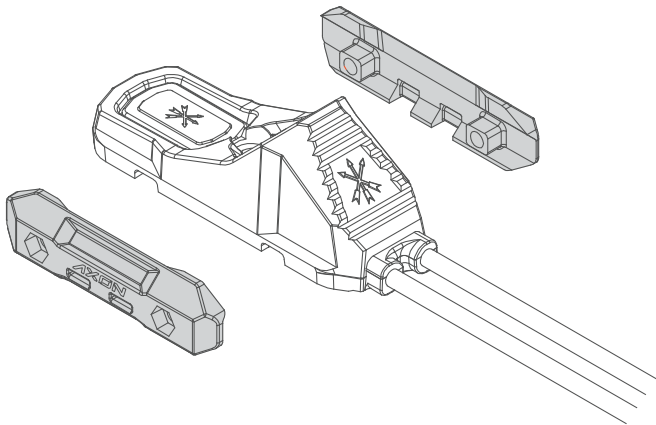
**NOTE:**

If using mini zip ties (sold separately) for cable management, install them prior to placing assembly on rail. Secure zip ties in loose loop for now.



1

Place the AXON™ control module on M1913 Rail in desired location.

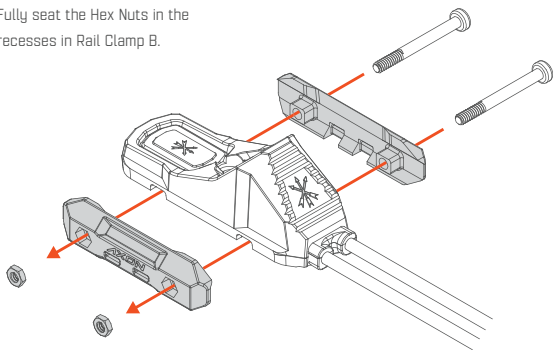


2

Align the Rail Clamps along the side of the AXON™ control module ensuring the logo on each Rail Clamp is upright. The Rail Clamps are interchangeable and can be placed on either side.

3

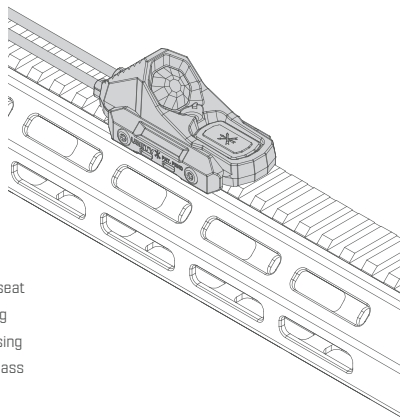
Fully seat the Hex Nuts in the recesses in Rail Clamp B.



4

Thread the Cross Bolts in the circular holes in Rail Clamp A via the pass-through and into the Hex Nuts in Rail Clamp B. Finger tight both before applying torque to either.

Torque to 5 in-lbs (0.57 Nm).



5

Route cables from AXDN® to devices and fully seat plugs in sockets. Avoid sharp bends and routing over extreme heat areas and sharp edges. If using zip tie loops for cable management, carefully pass slack cable through loops and tighten ties.

OPERATION

All AXDN™ variants for the Wilcox® BOSS Xe™ or RAID Xe™ are SYNC. SYNC models fire the laser independently with the laser-only (flat) button, while the light button (angled) will fire both light and laser simultaneously.

AXDN™ remote configuration options for the BOSS Xe™ or RAID Xe™ are configurable through the Wilcox Xe™ app in the Google Play Store.

DEFAULT BUTTON CONFIGURATION

FRONT BUTTON (ANGLED): Flashlight + Dual High Power IR Laser and Illuminator (DH I). In Low Power switch positions, High Power laser configurations will be limited to the maximum Low Power setting.

REAR BUTTON (FLAT): Fire

EXTREME CONDITIONS

Use of the AXDN™ line of switches in austere environmental conditions does not require any special attention or procedures for operation.

MAINTENANCE

Brush away all dirt, sand and debris with a soft bristle brush. Wipe with a damp cloth to clean.

STORAGE

The AXDN™ line of switches meets MIL-STD-810 environmental standards and can be used in extreme conditions. Ideally, do not store in extreme heat or cold long-term.

