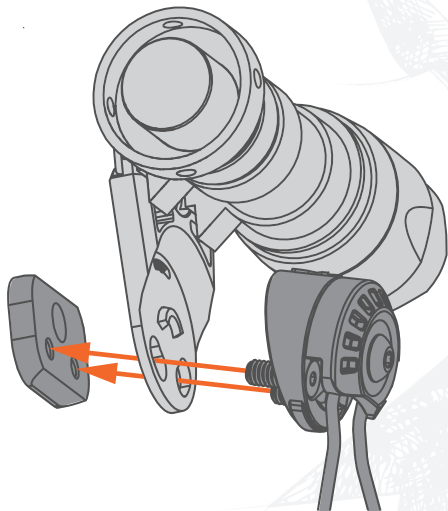


- 1** Attach desired accessory to Remora™ using the included hardware.
 - Use 8-32 Button Head screws to attach Surefire™ Scout footprint lights.
 - Use Phillips Head Thread-Cutting screws to attach included polymer accessory mounts.
 - If using Princeton Tec™ MPLS light, note that Backer Clip is directional and should be flush when properly installed. If it bows, remove and flip the other way.



- 2** Install Remora™ into MARK™ as shown. Note Remora is compatible with all versions of MARK.
- Replace existing MARK™ hardware with included Low Profile Socket Head Screws. Use shorter 3/8" screws for Ops-Core ARC™. Use longer 1/2" screws for Team Wendy EXFIL™.