

PATM
PLATFORM
ADAPTER
M-LOK[®]



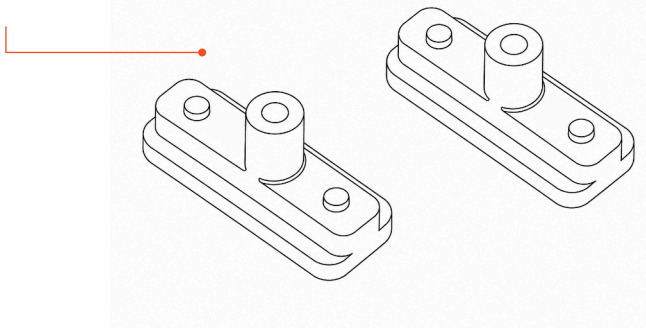
USER

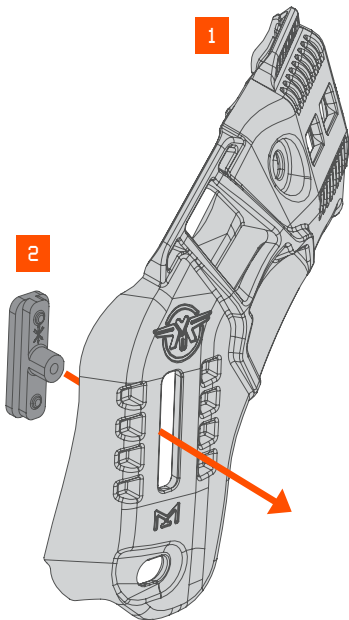
INSTRUCTIONS



The Platform Adapter™ enables attachment of the Ops-Core® AMP® Helmet Rail Mount Kit to M-LOK® rails or the Team Wendy® EXFIL® Rail 2.0 and EXFIL® Rail 3.0 accessory rail systems. Once installed, headset functionality is exactly the same on MTEK™, Hard Head Veterans™ and Team Wendy® EXFIL® rails as on ARC-mounted configurations. Platform Adapter™ installs in minutes with a single screw. Injection-molded with reinforced polymer.

Two (2) Platform Adapter™ Studs





1

Platform Adapter™ for M-LOK® Rails requires access to the back of the host rail. Begin by removing the rail from the helmet. Take care not to lose helmet rail mounting hardware.

2

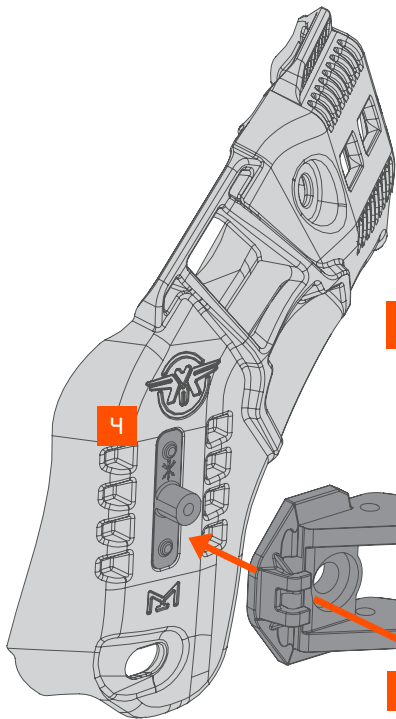
Press Platform Adapter™ Stud through rear of helmet rail M-LOK® slot.

3

Replace M-LOK® rail on helmet. Ensure that Platform Adapter™ Stud stays secure in slot during reinstall.

4

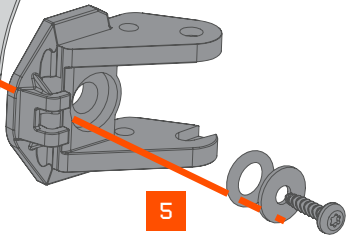
When properly installed, Platform Adapter™ Stud will be sandwiched between rail and helmet shell while stud protrudes proud of the rail surface.



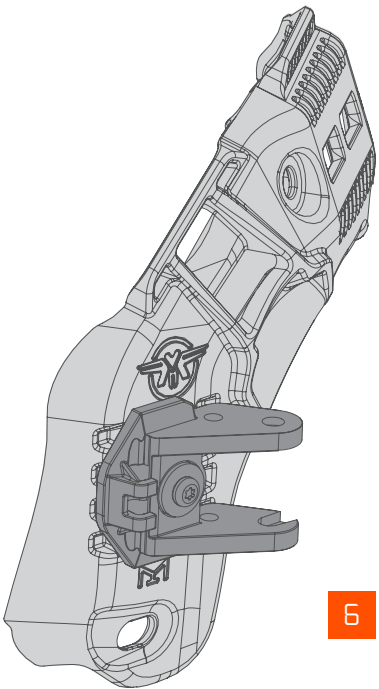
4

5

Remove center screw from AMP® Helmet Adapter Arm and pull ARC™ Adapter off. Take care not to lose the washer and rubber o-ring. Set ARC™ Adapter aside. Press AMP® Helmet Adapter Arm assembly over exposed Platform Adapter™ Stud. Replace o-ring and washer.



5



6

Reinstall center screw. Torque 16-18 in-lb (1.8-2.0 Nm). When properly tightened, AMP® Helmet Adapter Arm assembly will function as it would on Ops-Core® ARC™ Rail.

