

PATM

PLATFORM
ADAPTER

EXFIL[®]



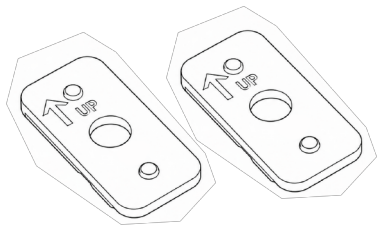
USER

INSTRUCTIONS

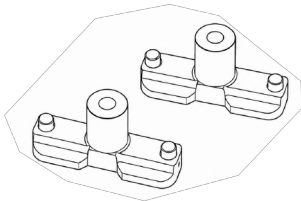
 **UNITY**[®]

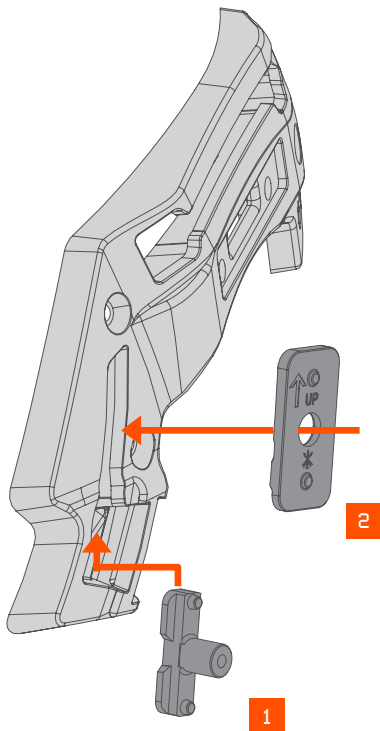
The Platform Adapter™ enables attachment of the Ops-Core® AMP® Helmet Rail Mount Kit to M-LOK® rails or the Team Wendy® EXFIL® Rail 2.0 and EXFIL® Rail 3.0 accessory rail systems. Once installed, headset functionality is exactly the same on MTEK™, Hard Head Veterans™ and Team Wendy® EXFIL® rails as on ARC-mounted configurations. Platform Adapter™ installs in minutes with a single screw. Injection-molded with reinforced polymer.

Two (2) Platform Adapter™ Plates



Two (2) Platform Adapter™ Studs





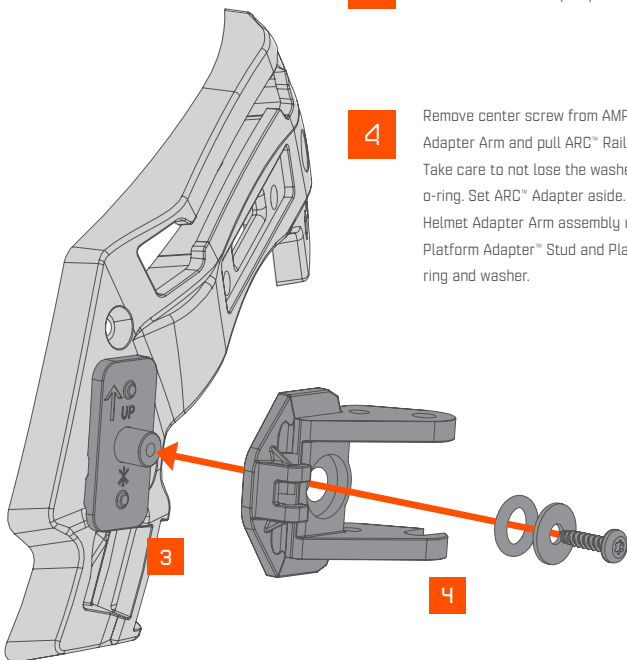
1

Slide Platform Adapter™ Stud into rear T-Slot on EXFIL™ Rail. Ensure the Stud is fully seated in the rail slot. No removal of the rail is required for installation.

2

2

Push Platform Adapter™ Plate over Stud Post. Ensure the upward arrow on the plate is facing outward and upward.



3

When properly installed, Platform Adapter™ Plate will nest in ramped portion of EXFIL™ Rail.

4

Remove center screw from AMP® Helmet Adapter Arm and pull ARC™ Rail Adapter off. Take care to not lose the washer and rubber o-ring. Set ARC™ Adapter aside. Press AMP® Helmet Adapter Arm assembly over exposed Platform Adapter™ Stud and Plate. Replace o-ring and washer.

3

4



5 Reinstall center screw. Torque to 16-18 in-lb (1.8-2.0 Nm). When properly tightened, AMP® Helmet Adapter Arm assembly will not slide on rail. It should only be able to pivot. **Do not over tighten.**

