



MBL™

**MODBUTTON
LITE**

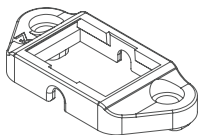
**M-LOK®
MOUNTING KIT**

USER

INSTRUCTIONS

The ModButton™ Lite M-LOK® Mounting Kit increases functionality of the ModButton™ Lite remote switch by expanding the mounting capabilities to the M-LOK® rail. It replaces the rail clamps with a frame that provides attachment to any M-LOK® rail surface.

One [1] ModButton™ Lite M-LOK® Mounting Kit Frame



Two [2] M-LOK® Screws



Two [2] M-LOK® Nuts



**WARNING:****ENSURE FIREARM IS UNLOADED****CAUTION:**

Over-torquing fasteners can damage your mount and/or your optic and will void your warranty. Using thread locking compounds, such as Loctite® or others, is not recommended and will void your warranty.

1

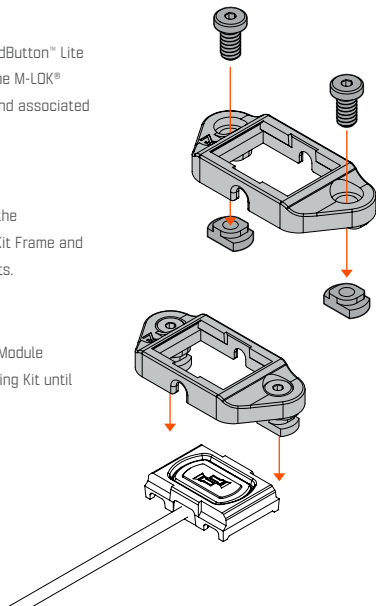
Ensure the Rail Clamps on your ModButton™ Lite are uninstalled prior to installing the M-LOK® Mounting Kit. Set the Rail Clamps and associated screws aside for safe keeping.

2

Insert the M-LOK® Screws through the ModButton™ Lite M-LOK® Mounting Kit Frame and thread partially into the M-LOK® nuts.

3

Guide the ModButton™ Lite Control Module through open slot of M-LOK® Mounting Kit until fully seated.



4

Place the ModButton™ Lite with M-LOK® Mounting Kit in desired location on the rail. Guide the M-LOK® Screws with the M-LOK® Nuts installed through the desired M-LOK® slot. Lightly snug both Screws before applying torque. **When torquing, do not exceed 10 in-lbs (1.13 Nm).** Ensure M-LOK® Nuts are fully perpendicular to M-LOK® slots in rail (fully seated).

