

USER INSTRUCTIONS

# AXON™

XL



 **UNITY™**

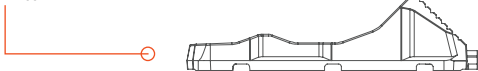
# CONTENTS



## PRODUCT OVERVIEW

Developed as part of a SOF requirement, AXON™ XL brings additional functionality to the industry-leading AXON™ family. A third button provides users with a dedicated laser visible override capability for the NGAL (LA-23/PE0) laser. The forward two buttons feature the same tactile differentiation as AXON™, while a prominent wall separates the flat (pill-shaped) center pad from the rear (flat circular) button.

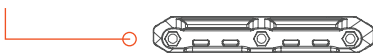
One (1) AXON™ XL



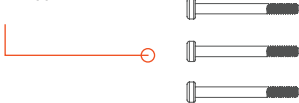
One (1) Rail Clamp A (Round Holes)



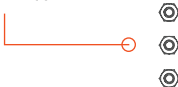
One (1) Rail Clamp B (Hex Holes)



Three (3) Cross Bolts



Three (3) Hex Nuts



One (1) AXON™ XL Front Screw Cover



One (1) AXON™ XL Rear Screw Cover





**WARNING: ENSURE FIREARM IS UNLOADED**

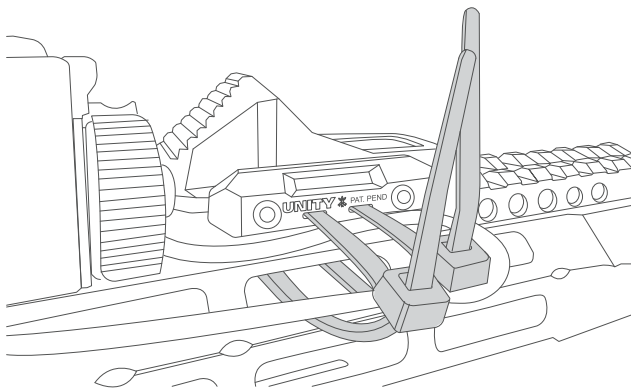


**CAUTION: OVER-TORQUING FASTENERS CAN DAMAGE YOUR RAIL CLAMPS**



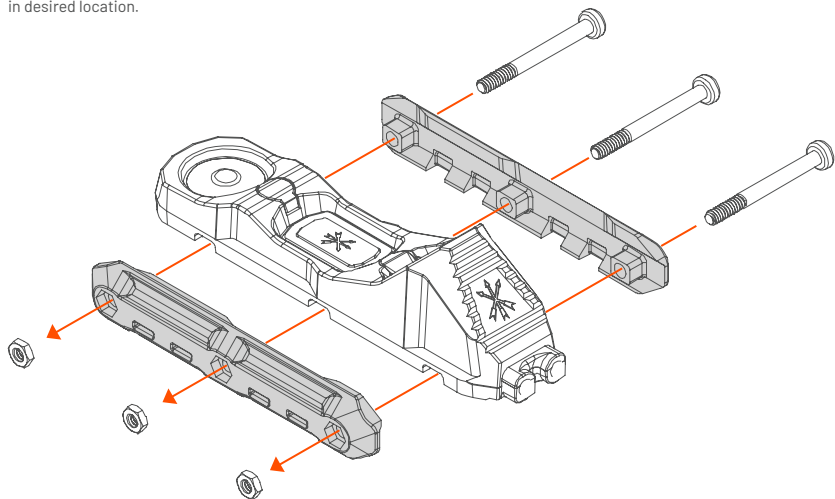
### NOTE

If using mini zip ties (sold separately) for cable management, install them prior to placing assembly on rail. Secure zip ties in loose loop for now.



1

Place the AXON™ XL Control Module on M1913 Rail in desired location.



2

Align the Rail Clamps along the side of the AXON™ XL Control Module ensuring the logo on Rail Clamp A is upright and the zip tie pass-throughs are on the bottom.

3

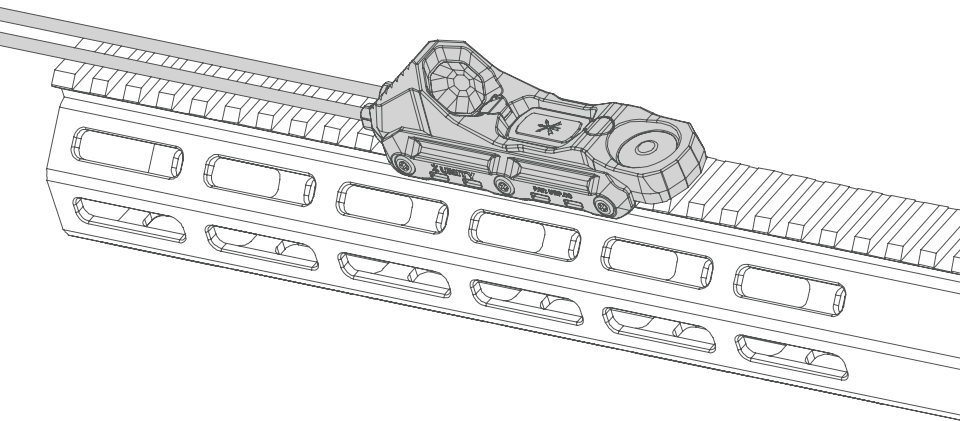
Fully seat the Hex Nuts in the recesses in Rail Clamp B.

4

Thread the Cross Bolts in the circular holes in Rail Clamp A via the pass-through and into the Hex Nuts in Rail Clamp B. Finger tight both before applying torque to either. **Torque to 5 in-lbs (0.57 Nm).**

5

Route cables from AXON™ XL to devices and fully seat plugs in sockets. Avoid sharp bends and routing over extreme heat areas and sharp edges. If using zip tie loops for cable management, carefully pass slack cable through loops and tighten ties.



## OPERATION

Depending on the variant you purchased, your AXON™ XL will function in the following ways. The center and rear buttons operate the same way across all non-restrictive variants.

**Rear Button (Flat Circular):** Fires the visible laser despite what mode the NGAL is physically set to (vis override).

**Center Button (Flat Pill-Shaped):** Fires the laser in the mode the NGAL is physically set to (mode select).

### **Forward Button (Angled):**

- Variant 2 (AXN-XL-0002): Supports momentary and constant light activation.
- Variant 3 (AXNS-XL-0003): Operating in a SYNC capacity, this button fires both white light and visible laser despite what mode the NGAL is physically set to (vis override), supporting both momentary and constant activation.
- Variant 4 (AXNS-XL-0004): Operating in a SYNC capacity, this button simultaneously fires white light and the laser in the mode the NGAL is physically set to (mode select), supporting both momentary and constant activation.

---

## EXTREME CONDITIONS

Use of the AXON™ line of switches in austere environmental conditions does not require any special attention or procedures for operation.

---

## MAINTENANCE

Brush away all dirt, sand and debris with a soft bristle brush. Wipe with a damp cloth to clean.

---

## STORAGE

The AXON™ line of switches meets MIL-STD-810 environmental standards and can be used in extreme conditions. Ideally, do not store in extreme heat or cold long-term.



[INFO@UNITYTACTICAL.COM](mailto:INFO@UNITYTACTICAL.COM)

©2025 UNITY Tactical. All Rights Reserved.  
Specifications subject to change without notice. PAT: UTIP.CO

