

FAST™

FTC OMNI



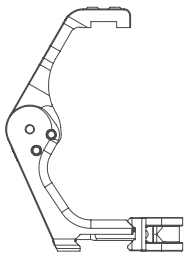
CONTENTS



PRODUCT OVERVIEW

The FAST™ FTC OMNI magnifier mount positions a variety of magnifiers from various manufacturers at a 2.26" optical centerline from the rail. It employs a simple force-to-overcome mechanism, stowing the magnifier below the optical sight plane and completely within the footprint of the weapon's receiver when not in use.

One (1) FAST™ FTC OMNI



Two (2) 10-32 x 3/8" Magnifier Mounting Screws
for EDETECH®, Trijicon® or Vortex®



One (1) Sig Sauer® JULIET Adapter



Two (2) M4 x 10mm Magnifier Mounting
Screws for Holosun®



Four (4) M3 x 8.5mm Magnifier Mounting
Screws for Sig Sauer®





WARNING: ENSURE FIREARM IS UNLOADED

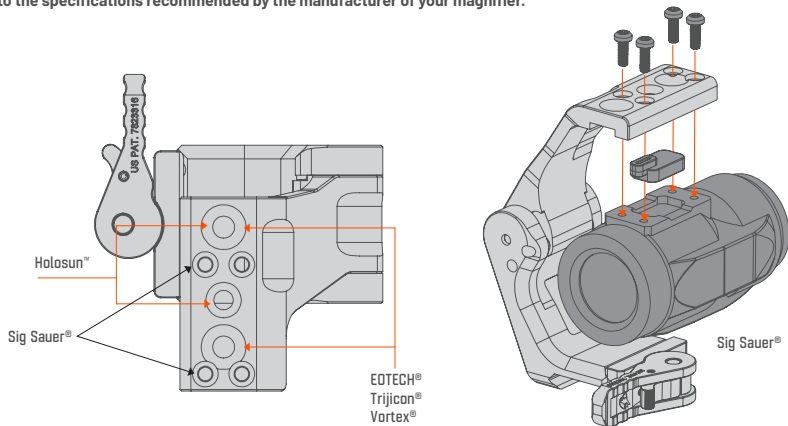


CAUTION:

OVER-TORQUING FASTENERS CAN DAMAGE YOUR MOUNT AND/OR YOUR OPTIC AND WILL VOID YOUR WARRANTY. USING THREAD LOCKING COMPOUNDS, SUCH AS LOCTITE® OR OTHERS, IS NOT RECOMMENDED AND WILL VOID YOUR WARRANTY.

1

Up-end and seat Magnifier in FAST™ mount arm (do not use shims from OEM magnifier kits). Insert the included two 10-32 x 3/8" Magnifier Mounting Screws in EOTECH®, Trijicon® or Vortex® optics. Insert the included two M4 x 10mm Magnifier Mounting Screws in Holosun™ optics. Insert the included four M3 x 8.5mm Magnifier Mounting Screws and the JULIET Adapter in Sig Sauer® optics. Secure EOTECH®, Trijicon® and Vortex® screws using a T20 bit driver. Secure Holosun™ and Sig Sauer® screws using a T10 bit driver. Lightly snug all screws before applying final torque. **Torque all mounting screws to the specifications recommended by the manufacturer of your magnifier.**



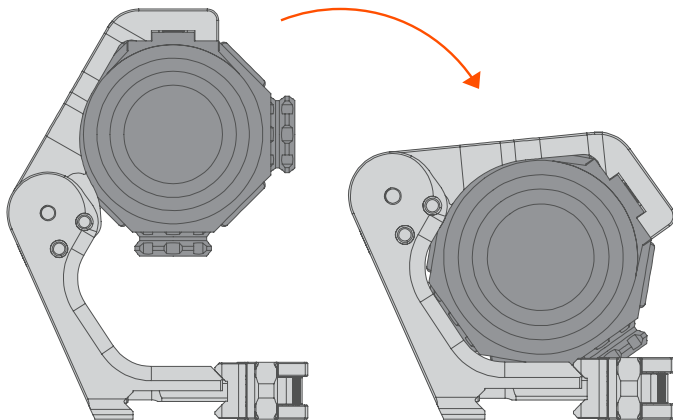
2

The FAST™ FTC OMNI mount uses a force-to-overcome mechanism. Grasp the magnifier body and pivot assembly down to the stowed position. Repeat in reverse to bring the magnifier back into the active position.



NOTE

Do not adjust the Pivot Bolt or disassemble the mount. Doing so will void the warranty.



INFO@UNITYTACTICAL.COM

©2024 UNITY Tactical. All Rights Reserved.
Specifications subject to change without notice. PAT: UTIP.CO

