

INSTALLATION INSTRUCTIONS

CTM™

COMBAT
THERMAL
MOUNT



 **UNITY™**

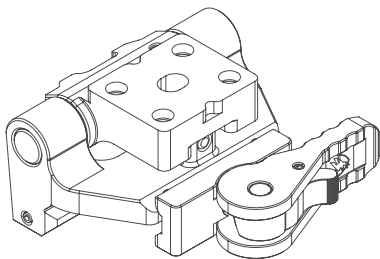

COBALT

CONTENTS

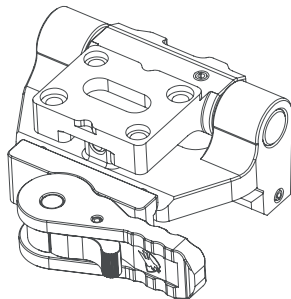
PRODUCT OVERVIEW

The compact and lightweight Combat Thermal Mount™ brings the thermal to an absolute co-witness height of a 1.54" optical centerline from the rail. With two models, the CTM™ can be employed for either the Trijicon® SkeetIR™x or the Pixels on Target™ VooDoo-S™ (models not interchangeable). Using a force-to-overcome mechanism, the thermal flips-to-side. The model for the VooDoo-S™ can be mounted for both right- and left-handed flip-to-side options.

One (1) CTM™ for Trijicon® SkeetIR™x



One (1) CTM™ for Pixels on Target™ VooDoo-S™



NOTE

Contents will vary depending on model purchased.

Four (4) Thermal Mounting Screws





WARNING: ENSURE FIREARM IS UNLOADED



CAUTION:

OVER-TORQUING FASTENERS CAN DAMAGE YOUR MOUNT AND/OR YOUR OPTIC AND WILL VOID YOUR WARRANTY. USING THREAD LOCKING COMPOUNDS, SUCH AS LOCTITE® OR OTHERS, IS NOT RECOMMENDED AND WILL VOID YOUR WARRANTY.

If using the CTM™ for Trijicon® SkeetIR™x, start at step 1. If using the CTM™ for Pixels on Target™ VooDoo-S™, jump to step 2.

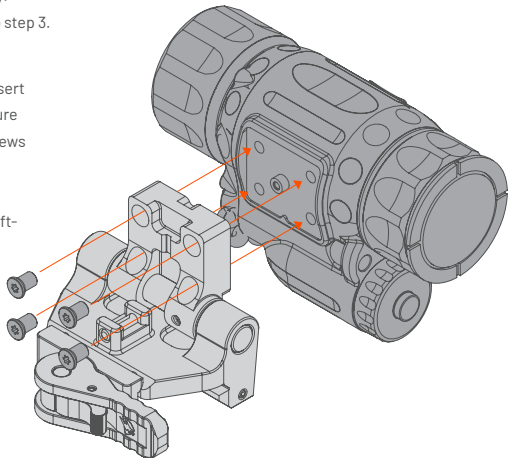
1

Up-end and seat thermal in FAST™ mount arm. Insert the existing mounting screws from your Trijicon® SkeetIR™x. Secure screws using a T8 bit driver. Lightly snug all screws before applying final torque to any.

Torque to manufacturer specifications. Jump to step 3.

2

Up-end and seat thermal in FAST™ mount arm. Insert the included four Thermal Mounting Screws. Secure screws using a 3/32 bit driver. Lightly snug all screws before applying final torque to any. **Torque to manufacturer specifications.** The model for the VooDoo-S™ can be mounted for both right- and left-handed flip-to-side options.



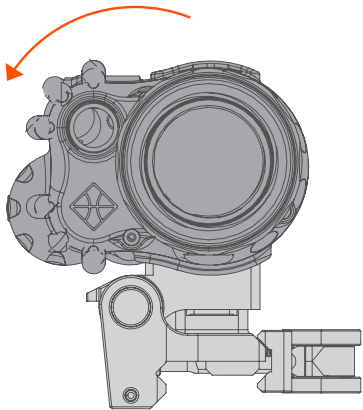
3

Using a force-to-overcome mechanism, the thermal flips-to-side. Grasp the thermal body and pivot assembly down to the stowed position. Repeat in reverse to bring the thermal back into the active position.

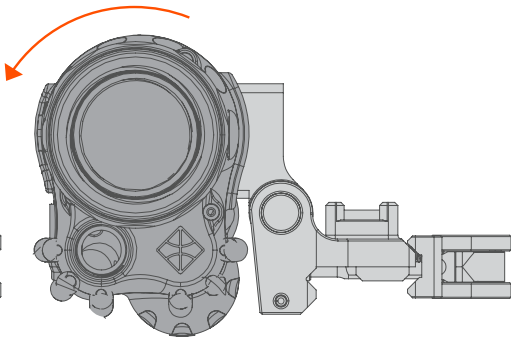


NOTE

Do not disassemble the mount.
Doing so will void the warranty.



Flipped for Use



Flipped to Side



INFO@UNITYTACTICAL.COM

©2024 UNITY Tactical. All Rights Reserved.
Specifications subject to change without notice. PAT. UTIP.CO

