

FAST™

COG SERIES



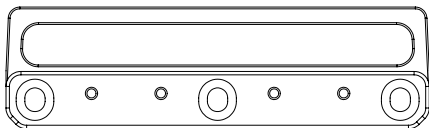
CONTENTS



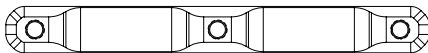
PRODUCT OVERVIEW

The FAST™ COG Series is designed for all Trijicon® VCOG and ACOG series optics, creating a 2.05" optical centerline from the rail. The multiple mounting holes provide optimal eye relief with an ACOG depending on the weapon platform.

One (1) FAST™ COG Series



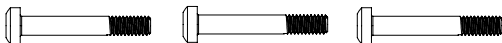
One (1) Rail Clamp



Three (3) Washers



Three (3) Clamp Screws



Three (3) Optic Mounting Screws





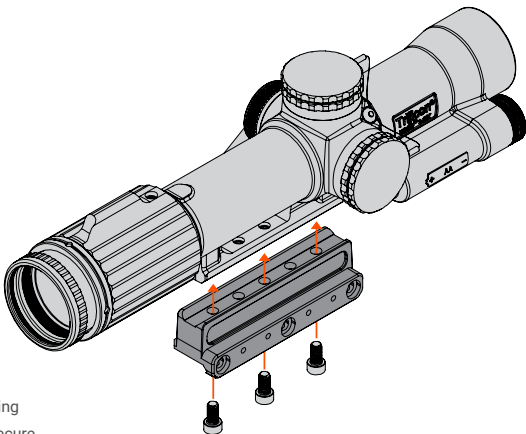
WARNING: ENSURE FIREARM IS UNLOADED



CAUTION:

OVER-TORQUING FASTENERS CAN DAMAGE YOUR MOUNT AND/OR YOUR OPTIC AND WILL VOID YOUR WARRANTY. USING THREAD LOCKING COMPOUNDS, SUCH AS LOCTITE® OR OTHERS, IS NOT RECOMMENDED AND WILL VOID YOUR WARRANTY.

- 1 Remove pre-installed Rail Clamp and three Clamp Screws / Washers from the FAST™ COG Series mount.



- 2 Using the UNITY™ supplied Optic Mounting Screws, install the optic to the mount. Secure three screws using a T25 bit driver. Lightly snug all screws before applying final torque to any. **Torque to 50 in-lbs (5.5 Nm).**



NOTE

If installing on an ACOG, only use two Optic Mounting Screws (front / rear).

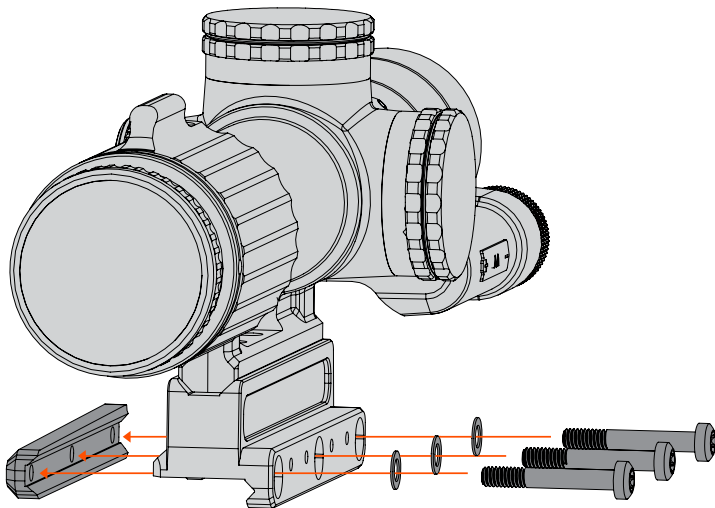
3

Loosely reinstall Rail Clamp and three Clamp Screws / Washers.

4

Place optic mount assembly onto M1913 Rail. Push mount forward against recoil lug. Tighten Clamp Screws in order – Front, Rear, Middle – using a T25 bit driver. Lightly snug all screws before applying final torque to any screws.

Torque to 35 in-lbs (4 Nm).



INFO@UNITYTACTICAL.COM

©2023 UNITY Tactical. All Rights Reserved.
Specifications subject to change without notice. PAT: UTIP.CO

