

FAST™

LPVO



 **UNITY™**

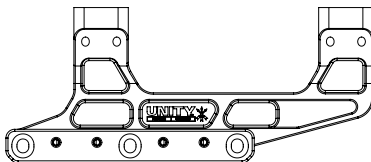
CONTENTS



PRODUCT OVERVIEW

Creating a 2.05" optical centerline from the rail, the FAST™ LPV0 scope mount features a zero MOA angle and is available with either 30mm or 34mm rings. The modular base accepts a suite of optional offset accessory mounts for MRDS, while an MRDS Top Ring is also available for mounting micro red dots at the 12 o'clock position.

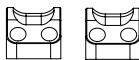
One (1) FAST™ LPV0



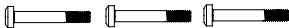
One (1) Rail Clamp



Two (2) Top Rings



Three (3) Clamp Screws



Three (3) Washers



Eight (8) Ring Screws





WARNING: ENSURE FIREARM IS UNLOADED

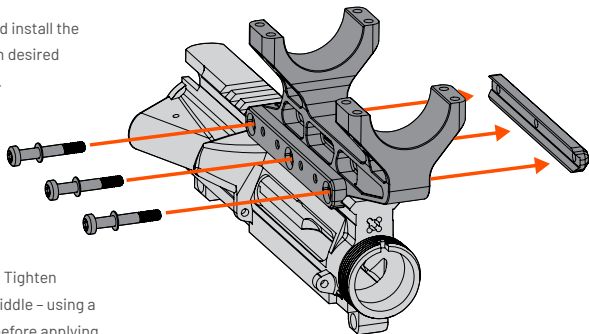


CAUTION:

OVER-TORQUING FASTENERS CAN DAMAGE YOUR MOUNT AND WILL NOT BE COVERED BY WARRANTY. USING THREAD LOCKING COMPOUNDS, SUCH AS LOCTITE® OR OTHERS, IS NOT RECOMMENDED AND WILL VOID YOUR WARRANTY.

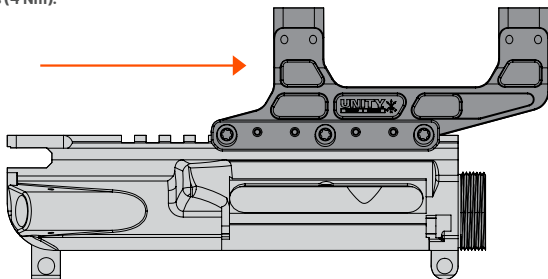
1

Loosen pre-installed Clamp Screws and install the FAST™ LPVO mount on the M1913 Rail in desired location. Finger tighten Clamp Screws.



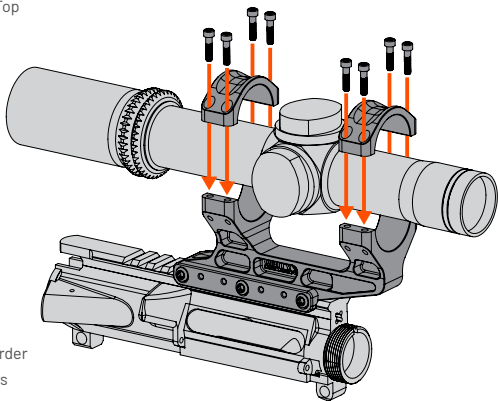
2

Push mount forward against recoil lug. Tighten Clamp Screws in order – Front, Rear, Middle – using a T25 bit driver. Lightly snug all screws before applying final torque to any. **Torque to 35 in-lbs (4 Nm).**



3

Install Optic into the FAST™ LPVO mount. Install Top Rings and finger tighten all Ring Screws. Ensure Scope is in the proper position for shooter's eye relief.

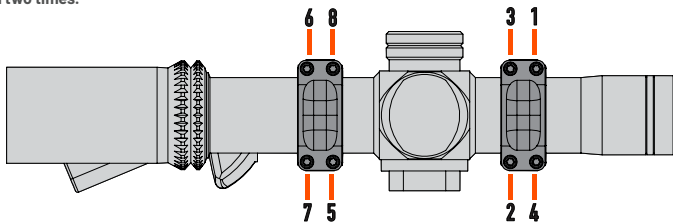


4

Level Scope reticle. Tighten Ring Screws in the order shown with a T15 bit driver. Lightly snug all screws while keeping an equal gap between the ring and mount body before applying final torque to any.

Torque in the pattern below to 18 in-lbs (2 Nm).

Complete this pattern two times.



INFO@UNITYTACTICAL.COM

©2024 UNITY Tactical. All Rights Reserved.
Specifications subject to change without notice. PAT. UTIP.CO

