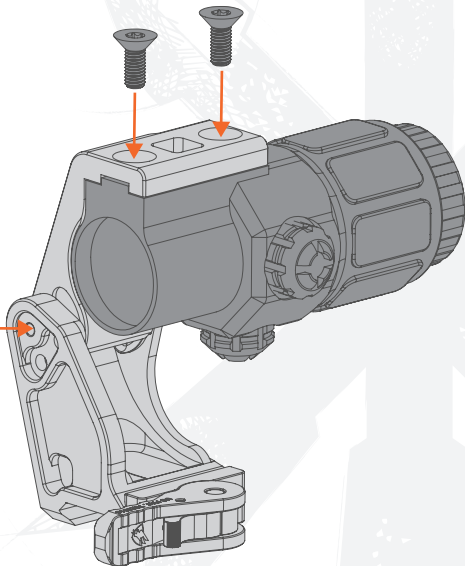


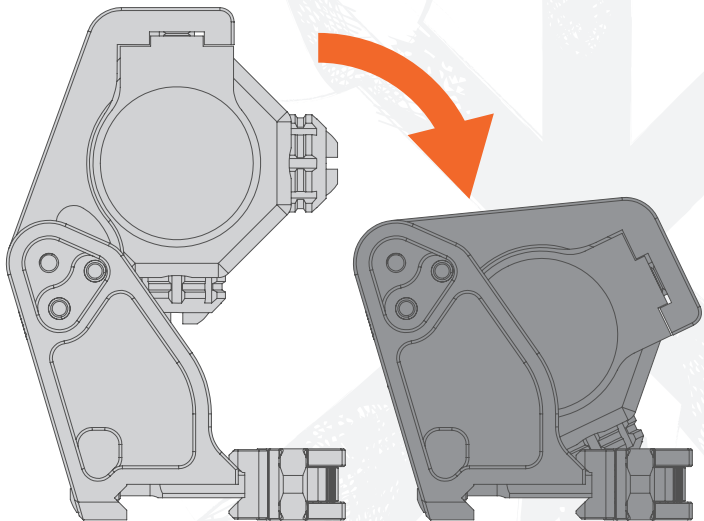
⚠ ENSURE FIREARM IS UNLOADED

NOTE: Do not adjust
Pivot Bolt



- 1** Remove EOTech™ G33 Magnifier from factory mount and set it aside.
- 2** Up-end and seat G33 Magnifier in FAST mount arm (do not use shim from OEM magnifier kit). Insert included screws. Tighten screws to finger tight, then another 1/8 - 1/4 turn. **DO NOT EXCEED 30 IN-LBS.**

⚠️ ENSURE FIREARM IS UNLOADED



- 3** FAST Magnifier Mounts use a Force-to-Overcome mechanism.
- 4** Grasp magnifier body and pivot assembly down to stow position. Repeat in reverse to bring magnifier back into active position.