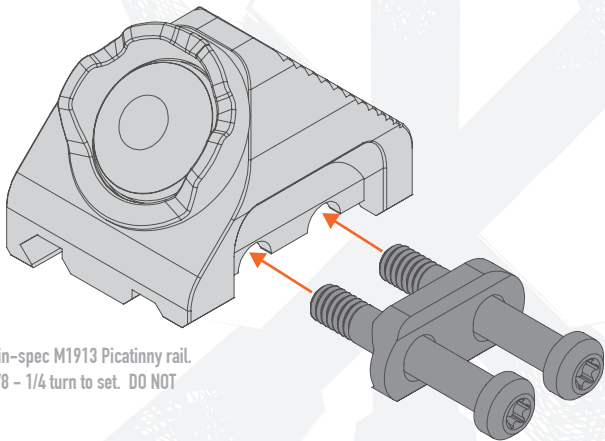


**⚠️ ENSURE FIREARM IS UNLOADED**



**1** Install Hot Button™ on an in-spec M1913 Picatinny rail. Finger tighten bolts, then 1/8 - 1/4 turn to set. **DO NOT EXCEED 18 IN-LBS.**

**2** Route cable from Hot Button™ to light or laser device and fully seat plug in socket. Avoid sharp bends in cable and routing over extreme heat areas and sharp edges.