

FAST™

MICRO



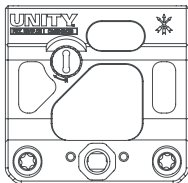
 **UNITY**

CONTENTS

PRODUCT OVERVIEW

The FAST™ Micro mount features a built-in, fully adjustable front and rear back-up iron sight. The front sight post can be removed, allowing the rear to be used with a standard front sight for a traditional sight radius. The FAST™ Micro mount is compatible with all micro footprint optics and the FAST™ QD Lever.

One (1) FAST™ Micro



One (1) Rail Clamp



Two (2) Washers



Two (2) Clamp Screws



One (1) T10 Torx Key



Four (4) Optic Mounting Screws



One (1) Front Sight





WARNING: ENSURE FIREARM IS UNLOADED

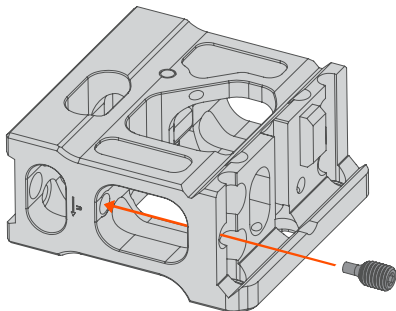


CAUTION:

OVER-TORQUING FASTENERS CAN DAMAGE YOUR MOUNT AND/OR YOUR OPTIC AND WILL VOID YOUR WARRANTY. USING THREAD LOCKING COMPOUNDS, SUCH AS LOCTITE® OR OTHERS, IS NOT RECOMMENDED AND WILL VOID YOUR WARRANTY.

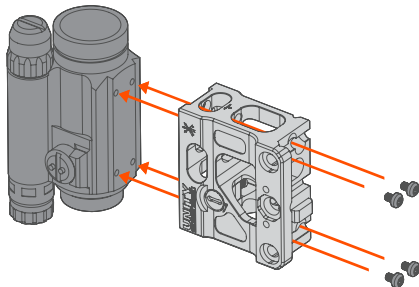
1

If using the front BUIS, thread it into place through the bottom of the FAST™ Micro mount so the tip of the post is generally aligned with the rear BUIS.



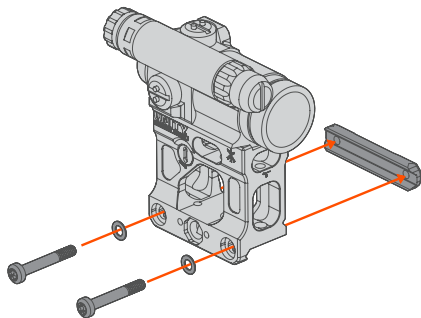
2

Using the UNITY™ supplied Optic Mounting Screws, install the optic to the mount. Tighten the screws in an "X" pattern until they are finger tight. Give each screw a 1/8 - 1/4 turn with the supplied torx key. **Do not exceed manufacturer's recommended torque spec.**



3

Place the FAST™ Micro mount on the M1913 Rail in desired location. If using the included Rail Clamp, move to step 4. If using the optional FAST™ QD Lever (sold separately), jump to step 5.

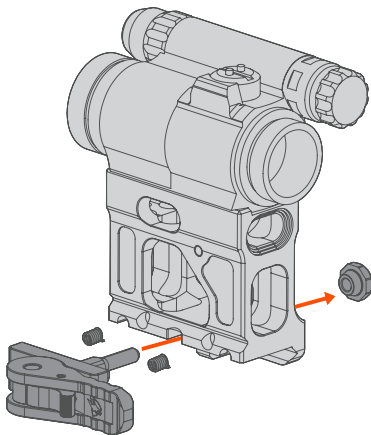


4

Insert each Clamp Screw through a Washer. Then insert them through the FAST™ Micro mount and thread them into the Rail Clamp. Secure screws using a T25 bit driver. Lightly snug all screws before applying final torque to any. **Torque to 35 in-lbs (4 Nm)**. Jump to step 6.

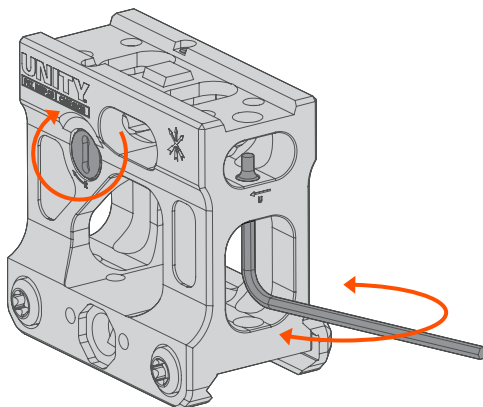
5

Optional FAST™ QD (Quick Detach) Lever (sold separately) can be installed in place of the Rail Clamp. Installation instructions are included with the lever.





CAUTION: ATTEMPTING TO DISASSEMBLE OR REMOVE THE REAR SIGHT ASSEMBLY IS NOT COVERED UNDER / WILL VOID WARRANTY.



6

Windage adjustment of rear BUIS is 0.5 MOA/click (with a 12.5" Sight Radius). If in conjunction with included front BUIS, adjustment is 5 MOA/click. Windage adjustment can be made with Aimpoint® adjustment tools or flat blade screwdriver.

7

Elevation adjustment for front BUIS is 10 MOA per 1/8" turn (keep in mind this is a 1.27" Sight Radius). Elevation will be touchy as this sight is intended as a backup system for weapons that do not have a standard front sight requirement.



INFO@UNITYTACTICAL.COM

©2023 UNITY Tactical. All Rights Reserved.
Specifications subject to change without notice. PAT: UTIP.CO

