

# FAST™

FTC 30MM



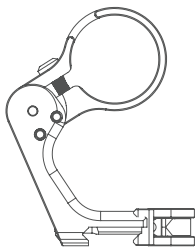
# CONTENTS



## PRODUCT OVERVIEW

The FAST™ FTC 30mm magnifier mount positions magnifiers with a 30mm body to a 2.26" optical centerline from the rail and employs a simple force-to-overcome mechanism, stowing the magnifier below the optical sight plane and completely within the footprint of the weapon's receiver when not in use.

One (1) x FAST™ FTC 30mm mount





## WARNING: ENSURE FIREARM IS UNLOADED



### CAUTION:

OVER-TORQUING FASTENERS CAN DAMAGE YOUR MOUNT AND/OR YOUR OPTIC AND WILL VOID YOUR WARRANTY. USING THREAD LOCKING COMPOUNDS, SUCH AS LOCTITE® OR OTHERS, IS NOT RECOMMENDED AND WILL VOID YOUR WARRANTY.



### NOTE

The FAST™ FTC 30mm can be mounted in either direction on the rail, allowing left- or right-handed FTC motion and quick detach.



### NOTE

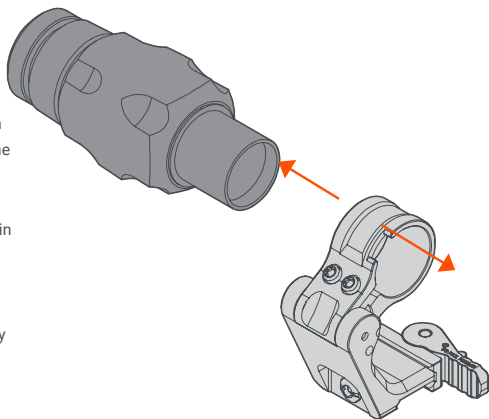
Do not adjust the Pivot Bolt or disassemble the mount. Doing so will void the warranty.

1

Loosen the two screws in the FAST™ FTC 30mm mount enough to slide the magnifier tube into the ring. Ensure the objective face of the magnifier clears the front wall of the mount when rotated down. Ensure the magnifier is properly oriented in the ring when in the active (up) position.

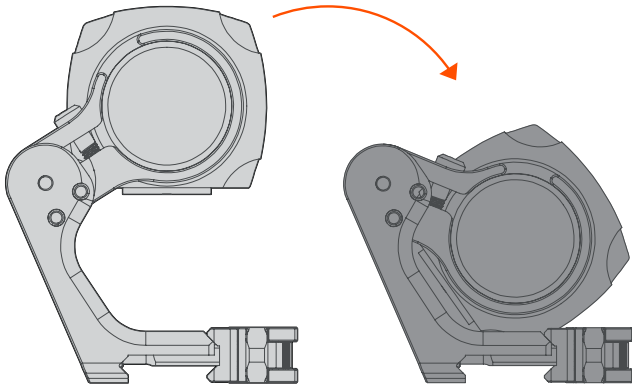
2

Secure the screws using a T25 bit driver. Lightly snug all screws before applying final torque to any. **Torque to 35 in-lbs (4 Nm).**



3

The FAST™ FTC 30mm mount uses a force-to-overcome mechanism. Grasp the magnifier body and pivot assembly down to the stowed position. Repeat in reverse to bring the magnifier back into the active position.



[INFO@UNITYTACTICAL.COM](mailto:INFO@UNITYTACTICAL.COM)

©2023 UNITY Tactical. All Rights Reserved.  
Specifications subject to change without notice. PAT: UTIP,CO

