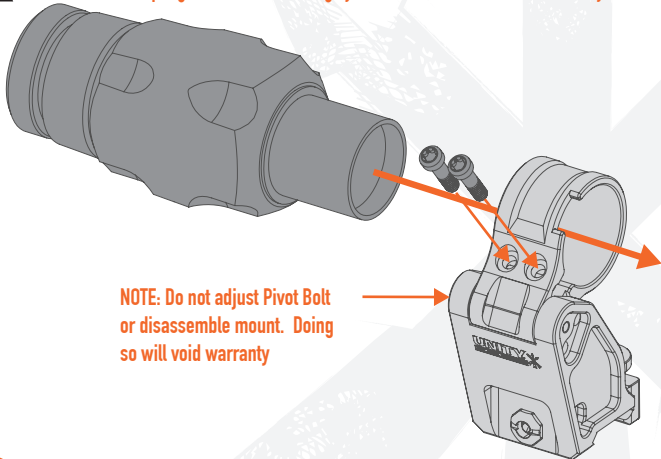


## ⚠️ ENSURE FIREARM IS UNLOADED

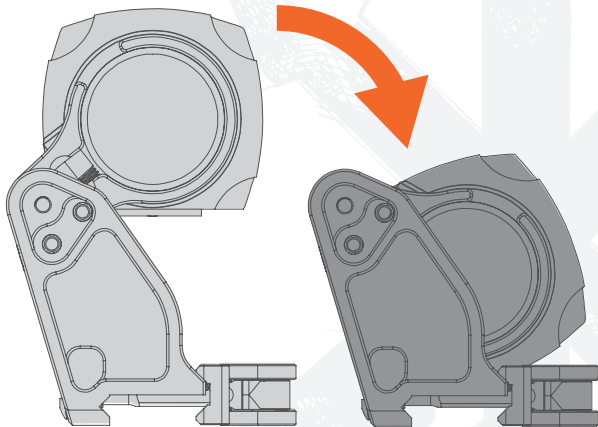
**⚠️ WARNING:** Over-torquing fasteners can damage your mount and will not be covered by warranty.



**NOTE:** Do not adjust Pivot Bolt or disassemble mount. Doing so will void warranty

- 1** Loosen screws in FAST Magnifier Mount enough to slide Magnifier tube into ring. Ensure objective face of magnifier clears front wall of mount when rotated down. Ensure the Magnifier is properly oriented in ring when in the active (up) position.
- 2** Secure screws using a T25 bit driver. Lightly snug all screws before applying final torque to any. **TORQUE TO 35 IN-LBS.**

**⚠ ENSURE FIREARM IS UNLOADED**



- 3** FAST Magnifier Mount for Aimpoint™ uses a Force-to-Overcome mechanism.
- 4** Grasp magnifier body and pivot assembly down to stow position. Repeat in reverse to bring magnifier back into active position.