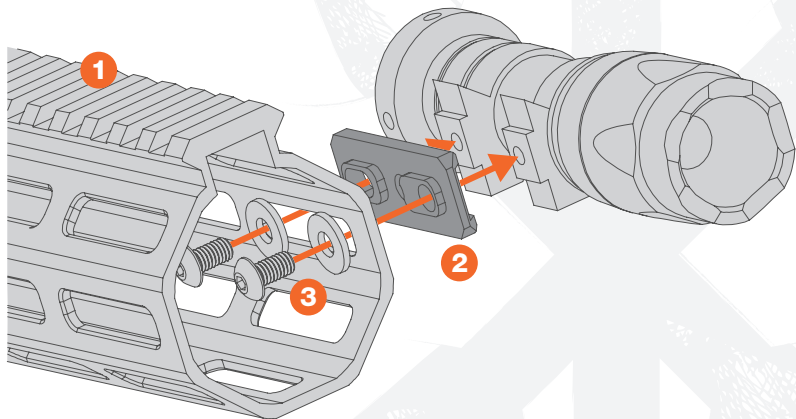


FUSION™ M-LOK ADAPTER

INSTALLATION INSTRUCTIONS



⚠ ENSURE FIREARM IS UNLOADED



- 1** Remove M-LOK™ Rail from host weapon to gain access to inside.
- 2** Place FUSION™ M-LOK™ Adapter into M-LOK slot on rail.
- 3** Using supplied wrench and hardware, install the screws through washers, M-LOK™ slot, and FUSION™ M-LOK Adapter into accessory (light or FUSION component). Finger tight, then another 1/8 - 1/4 turn. **DO NOT EXCEED 18 IN-LBS.**
Larger 10-32 screws and washers are for FUSION™ accessory components. Smaller 8-32 screws and washers are for Surefire™ lights.
- 4** Reinstall rail on host weapon per manufacturer's instructions.

FUSION™ M-LOK ADAPTER INSTALLATION INSTRUCTIONS



⚠ ENSURE FIREARM IS UNLOADED

