

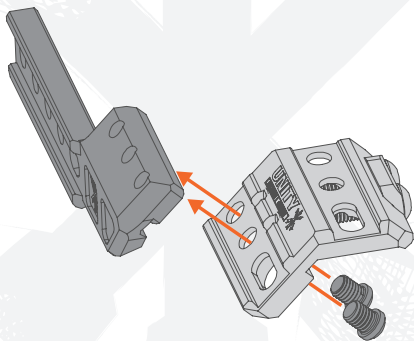
# FUSION™ LIGHT WING - LEFT INSTALLATION INSTRUCTIONS



**⚠️ ENSURE FIREARM IS UNLOADED**

**1** Configure FUSION™ Light Wing with additional FUSION™ accessories and/or OEM lights utilizing included hardware. Surefire™ Scout-pattern lights will use the 8-32 screws, while FUSION™ components will use the 10-32 screws. Install hardware finger tight, then another 1/8 - 1/4 turn. DO NOT EXCEED 18 IN.-LBS.

**2** Install FUSION™ Light Wing on genuine FUSION™ Micro Hub 2.0 using included 10-32 screws. Hardware should be finger tight, then another 1/8 - 1/4 turn. DO NOT EXCEED 18 IN.-LBS. The Light Wing can cantilever forward or backward depending on which side the Micro Hub platform is facing.



# FUSION™ LIGHT WING - LEFT

## INSTALLATION INSTRUCTIONS



**⚠️ ENSURE FIREARM IS UNLOADED**

- 3** FUSION™ Light Wings offer minute accessory mounting adjustments for precise light placement. Multiple mount holes allow for biasing accessories forward and rearward.

