

FUSION™ MICRO HUB 2.0

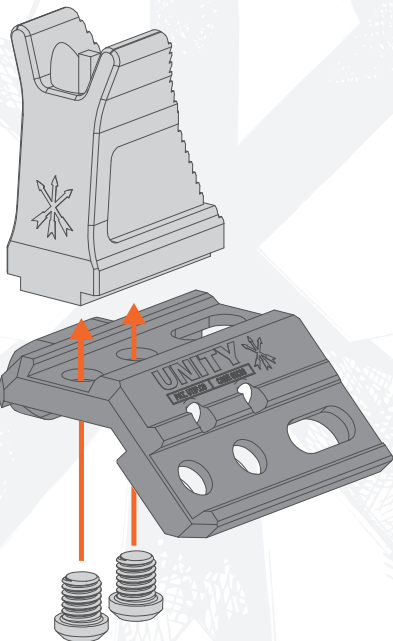
INSTALLATION INSTRUCTIONS



⚠️ ENSURE FIREARM IS UNLOADED

1 Configure Micro Hub with additional FUSION™ accessories and/or OEM lights and lasers utilizing the included hardware. Use 10-32 Screws to attach other FUSION™ components, and 8-32 Screws to attach Surefire™ and similar Scout footprint lights. Finger Tight, then 1/8 - 1/4 turn further. DO NOT EXCEED 18 IN-LBS.

2 Using the included clamp and screws, secure assembly to M1913 Picatinny Rail. Finger Tight, then 1/8 - 1/4 turn further. DO NOT EXCEED 18 IN-LBS.



FUSION™ MICRO HUB 2.0

INSTALLATION INSTRUCTIONS



⚠ ENSURE FIREARM IS UNLOADED

3 FUSION™ Micro Hub is the base component for the entire FUSION™ parts suite. Direct mount compatible with:

- Surefire™ Scout Series Lights
- Modlite™ Lights
- Streamlight™ PRO-TAC Series Lights
- Steiner™ DBAL Series Lasers

