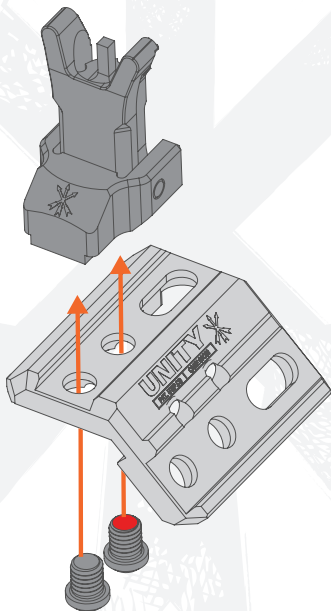


# FUSION™ FRONT SIGHT - FOLDING INSTALLATION INSTRUCTIONS



## ⚠️ ENSURE FIREARM IS UNLOADED

- 1** Remove clamp and screws from FUSION™ Micro Hub 2.0 to provide access to the top holes. Set aside clamp and screws for re-installation.
- 2** Install FUSION™ Folding Front Sight on Micro Hub 2.0 using included 10-32 hardware. The shorter screw with the red tip should be used in the rear hole to ensure the sight can properly fold. Tighten hardware to finger tight, then another 1/8 turn. DO NOT EXCEED 18 IN-LBS.
- 3** Reinstall clamp and screws in the FUSION™ Micro Hub 2.0 and install on weapon rail. Clamp screws should be finger tight, then another 1/8 - 1/4 turn. DO NOT EXCEED 18 IN-LBS.
- 4** Zeroing procedures are the same as a standard AR15 type front sight. Use a standard front sight tool.



# FUSION™ FRONT SIGHT - FOLDING INSTALLATION INSTRUCTIONS



**⚠ ENSURE FIREARM IS UNLOADED**

- 5** FUSION™ Folding Front Sight is a standard height AR15 height sight that is compatible with all other standard height rear sights (when properly mounted on a FUSION™ Micro Hub 2.0).

